

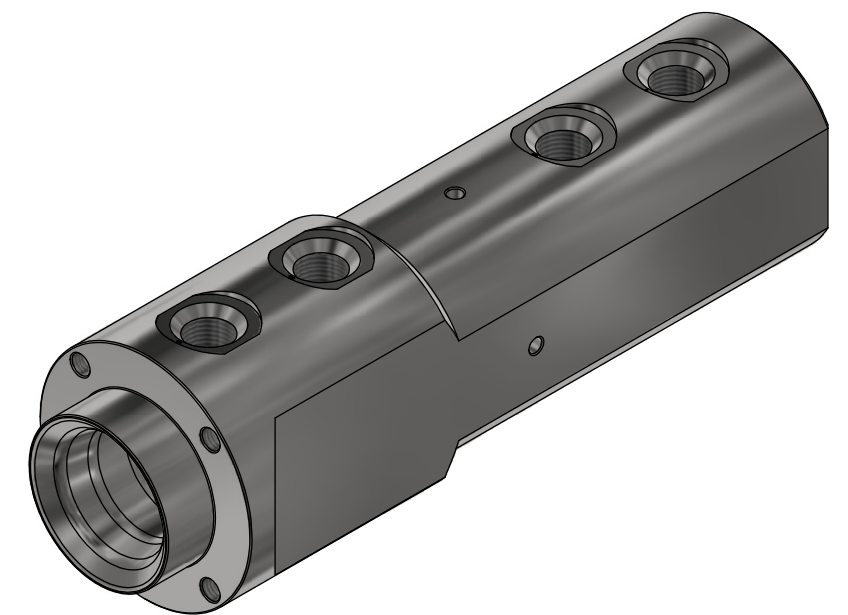
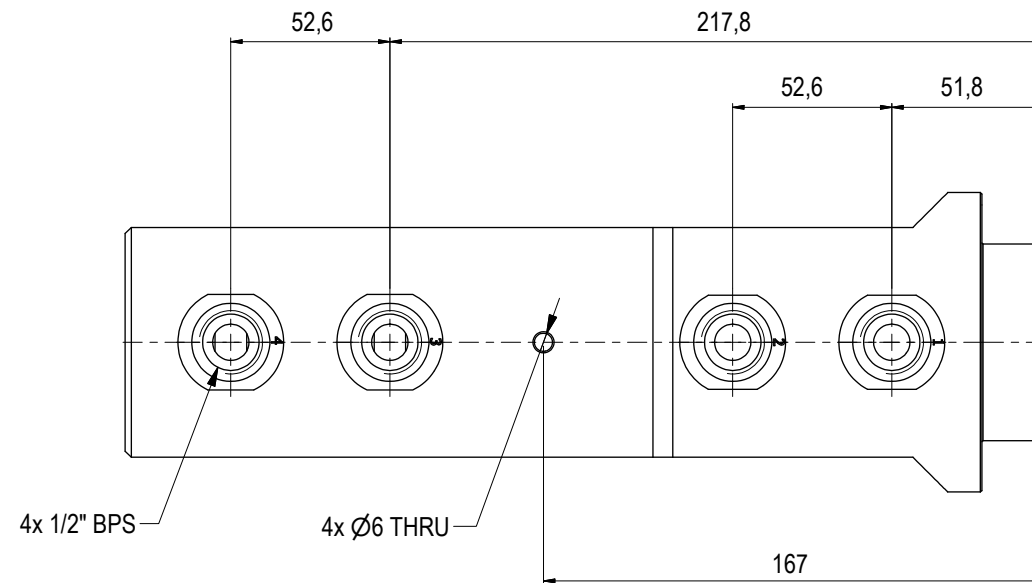
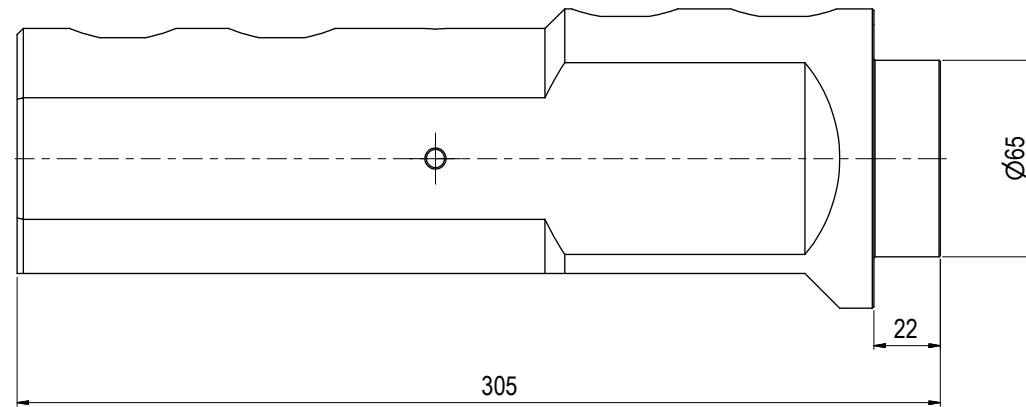
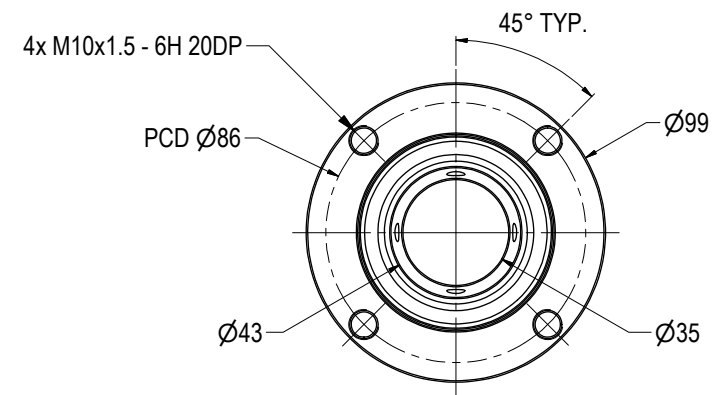
NOTE: 1
 DESIGN CODE:
 ISO 13628-8 Type A/API 6A

NOTE: 2
 TECHNICAL CLASSIFICATION:
 Article Type: 001-Hot Stabs
 Main Group: 1.02. Ø35/Ø43 Hot Stab
 Intermediate Group: 1.3.02. Receptacle
 Sub Group: 1.3.10.04. Quad

NOTE: 3
 INTERFACE INFORMATION:
 Pressure Rating Bar: 690
 Design Water Depth: N/A
 Material: S32750 SUPER DUPLEX
 Weight: 10 kg
 Volume: 1,28 dm³
 Submerged Weight: 8,72 kg
 Surface Area: 1397 cm²
 Hydraulic: 1/2" BSP
 Mechanical: 4xM10@PCD 86
 Electrical: N/A
 Com. & Protocol: N/A

NOTE: 4
 WEB LINK:
<http://e-sea.bluelogic.no/main.aspx?page=article&artno=BA3986>

NOTE: 5
 ADDITIONAL INFORMATION:
 Other hydraulic port interface can be delivered on customers request.



Rev.	Date	Reason for issue	Revision change	Made	Chk'd	Appr.
02	12.5.2014	9-IFU (Issued for Use)		WTJ	HNJ	WTJ
01	11.9.2013	7-IFC (Issued for Construction)		HNJ	LAE	HNJ

BLUE LOGIC

This Drawing is the Property of Blue Logic AS © and must Not be Loaned, Reproduced or Transferred to others without written Permission

Dwg Scale:	NTS
Dwg Proj:	
Dwg Format:	A3

Drawing title:	Ø35/Ø43 QP Rec 10k Interv BSP 1/2"	
Drawing number:	BA3986	Rev: 02